

WATERMARK

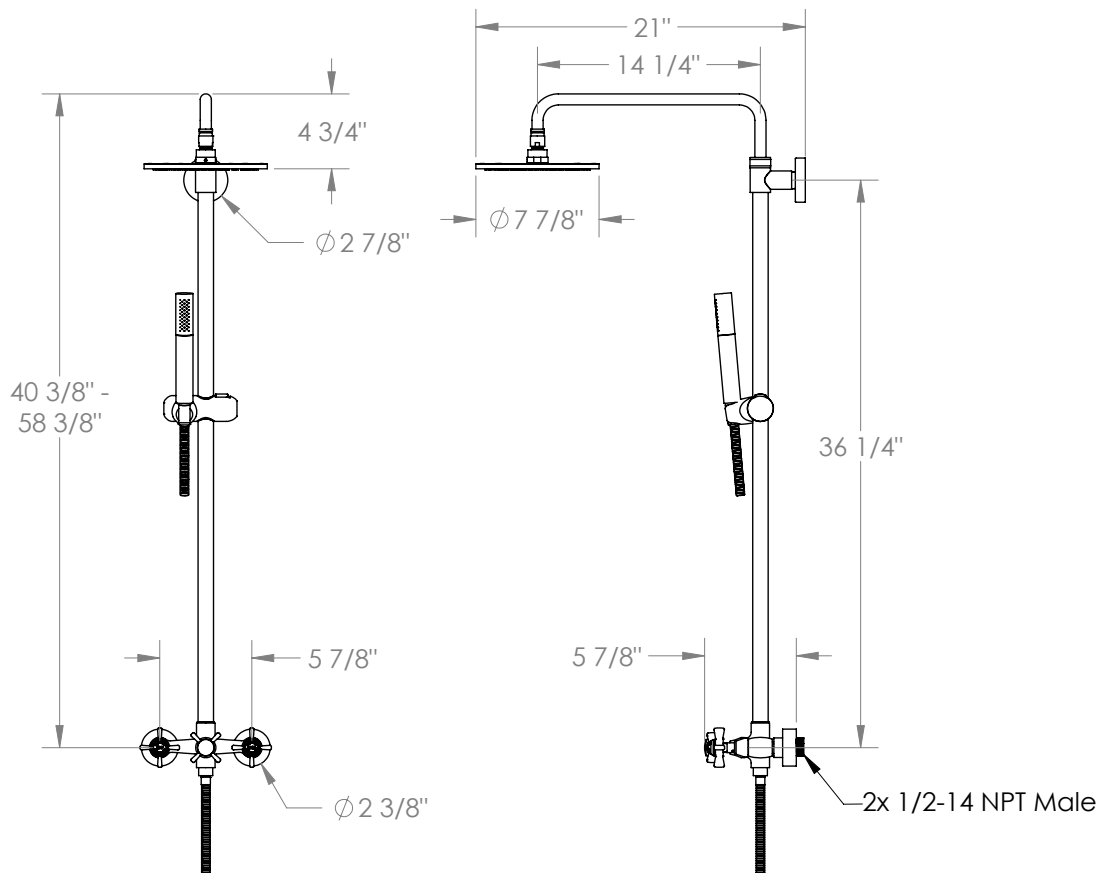
BROOKLYN, NEW YORK

Haley 34-6.1HS-S1 Wall Mounted Exposed Shower with Hand Shower



- Flow Rate: 1.75 GPM @ 45-80 PSI, other flow rates available
- Easy to Clean Silicone Rubber Nozzles
- Brass Construction
- Note: Some building codes may require remote pressure balance valves for anti-scald, such as the SS-PB50
- Professional Installation Required

Available in all finishes shown on the [Watermark Designs website](#)



Meets the applicable requirements of ASME A112.18.1/CSA B125.1, entitled "Plumbing Supply Fittings".

Watermark Designs reserves the right to make revisions without notice to product specifications. All product dimensions are nominal.

04/2024