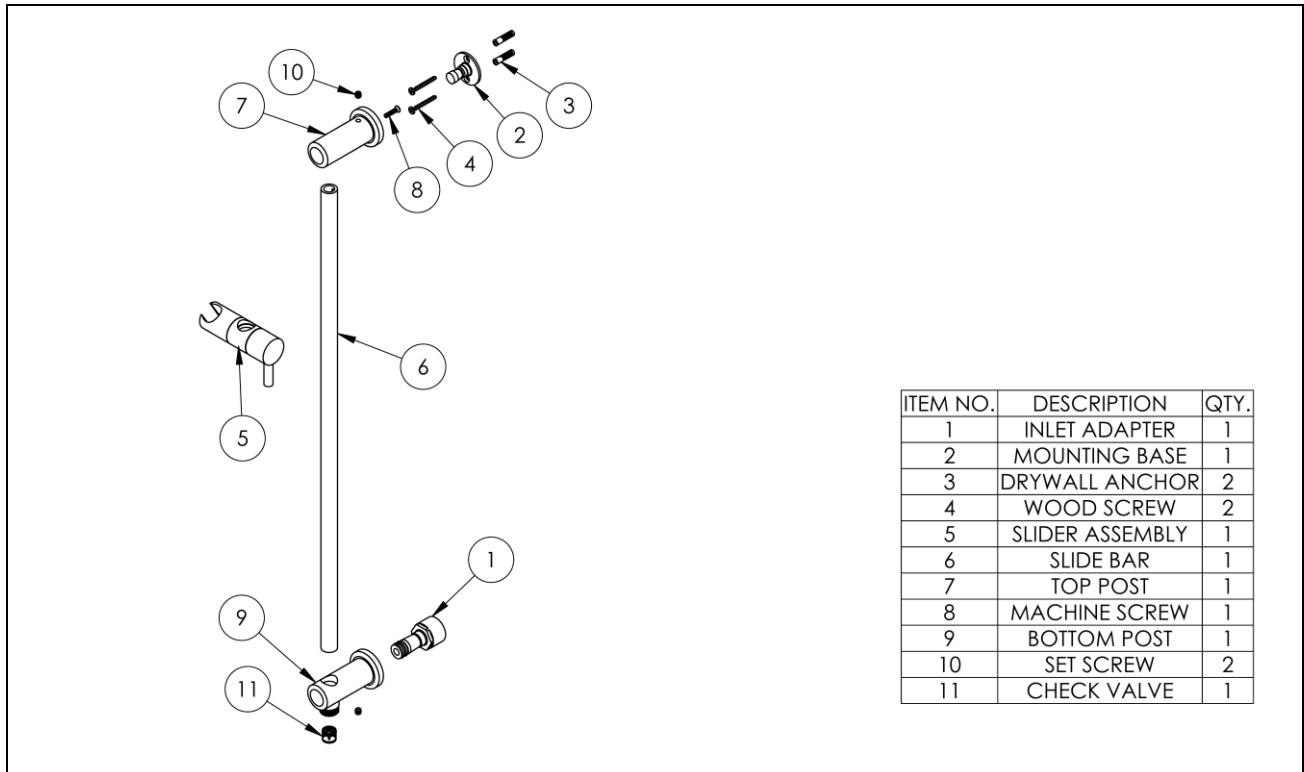
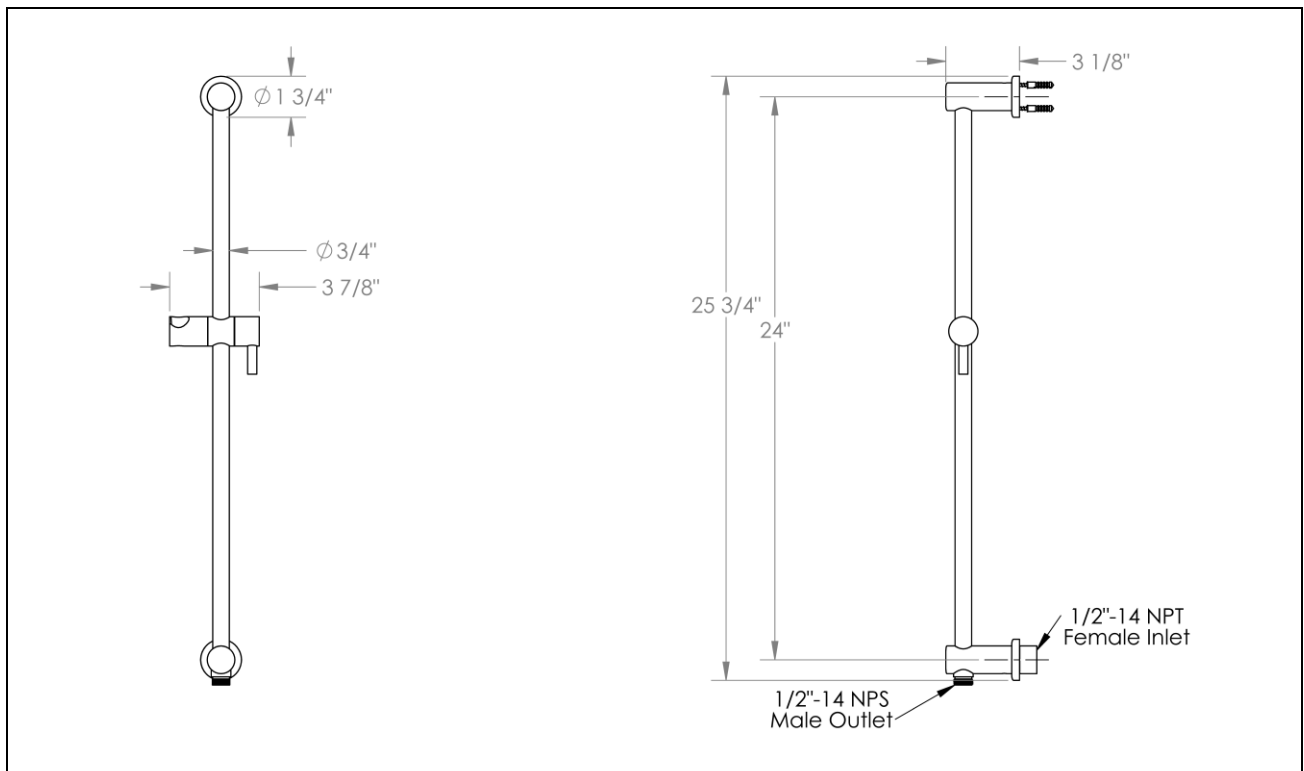


Exploded View



Dimensions



Installation Instructions

1. A well-supported 1/2" NPT elbow with nipple is required in the wall prior to installation.
2. Hole in the wall should be at least $\varnothing 1 \frac{1}{4}$ " to fit **inlet adapter (1)**. Pipe nipple should end 1/4" to 5/16" behind the finished wall with PTFE tape applied.
3. Thread **inlet adapter (1)** onto pipe nipple. Hex surfaces measure 27mm across flats. Front end of the hex surfaces should be flush with the finished wall.
4. Measure 24" from the center upwards to determine location for the **mounting base (2)**.
5. Mark locations on wall using the **mounting base (2)**.
6. Drill appropriate hole sizes depending on whether the bases are being installed onto wood studs (recommended), drywall, or ceramic tiles. If mounting onto drywall, use the provided **drywall anchors (3)**. Secure bases onto the finished wall with **wood screws (4)**.
7. Slide **slider assembly (5)** onto the **slide bar (6)**, turning the lever if necessary to allow bar to be inserted.
8. Insert top end of **slide bar (6)** into **top post (7)** and secure by tightening the machine screw (8) with a screwdriver.
9. Apply silicone grease onto the O-rings of the **inlet adapter (1)** in preparation for the next step.
10. Insert bottom end of **slide bar (6)** into the **bottom post (9)**.
11. Slide the two **posts (7, 9)** over the **mounting base (2)** and **inlet adapter (1)**. Secure posts by tightening the **set screws (10)** with the provided Allen key.
12. Flush the bottom outlet and check for leaks.
13. Tension on the **slider assembly (5)** can be adjusted via the two set screws accessible on the hook side. Tighten [clockwise] to increase tension. Adjust both evenly.

IMPORTANT INSTALLATION INFORMATION

- Professional installation is recommended.
- Slide bars should not be used as grab bars.
- Check valve in the bottom post should not be removed.
- Refer to maintenance guide for finish care instructions.

For technical support, please call 718-257-2800