

WATERMARK

BROOKLYN, NEW YORK

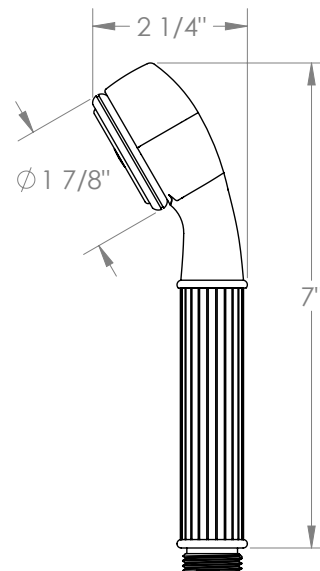
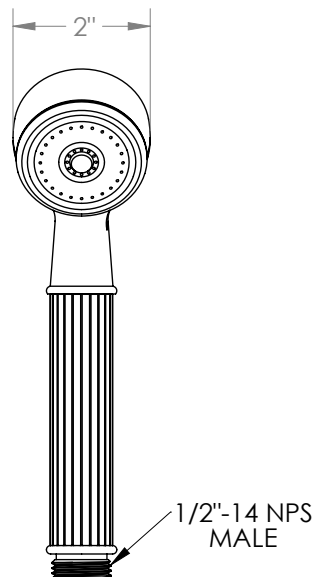
Traditional SH-S1000F2

Hand Shower with Fluted Insert and Ridged Face



- Flow Rate: 1.75 GPM Max @ 45-80 PSI
- Brass construction
- Contains a check valve at the inlet
- Professional installation recommended

Available in all finishes shown on the [Watermark Designs website](#)



Meets the applicable requirements of ASME A112.18.1/CSA B125.1, entitled "Plumbing Supply Fittings".

Watermark Designs reserves the right to make revisions without notice to product specifications. All product dimensions are nominal.

Updated: 06/2025

350 Dewitt Ave. Brooklyn, NY 11207 USA | T: 1 718 257 2800 | F: 1 718 257 2144 | customerservice@watermark-designs.com