

# WATERMARK

BROOKLYN, NEW YORK

## SH-PRE50

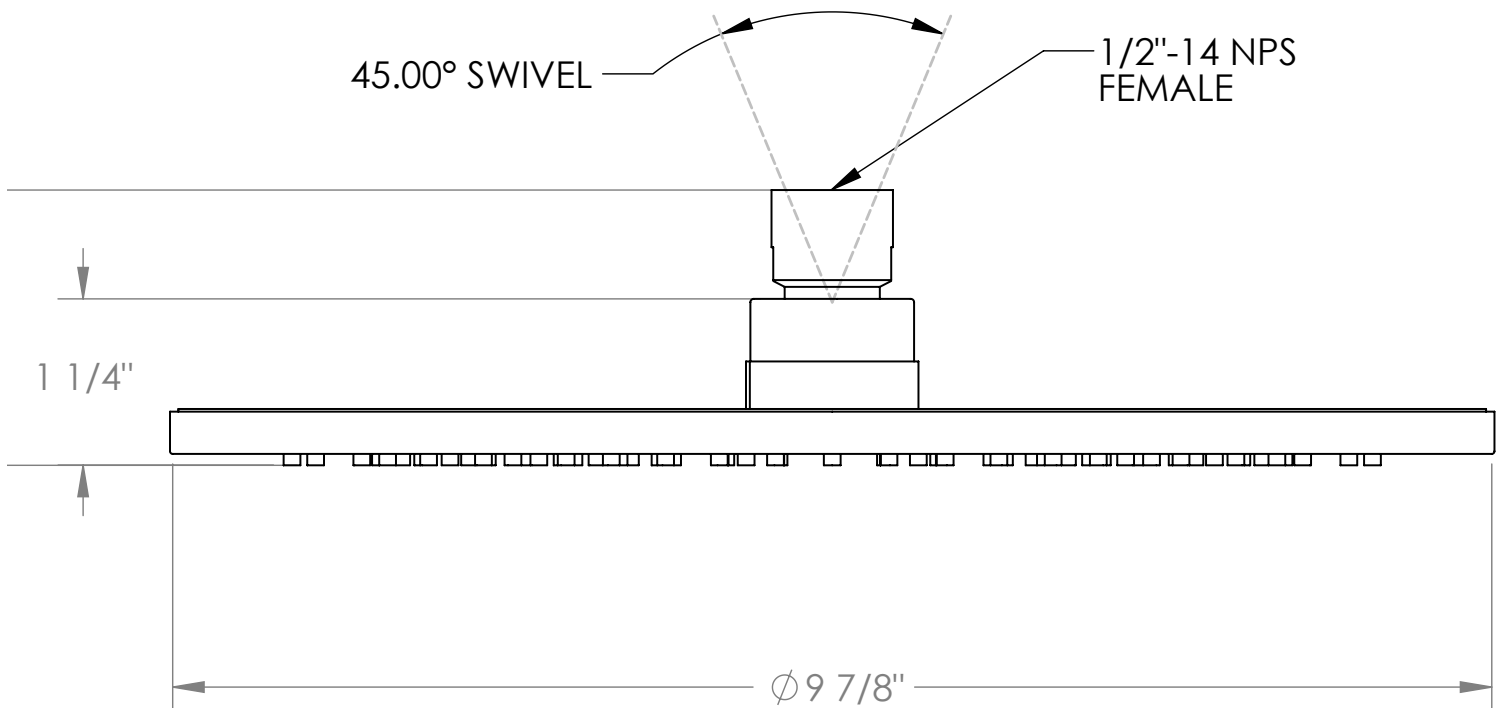
Round Antiscale Shower Head, 10" dia.

- Flow Rate: 1.75 GPM @ 45-80 PSI
- Easy clean silicone rubber nozzles
- Brass construction
- Swivel Range of Motion: 20-25°
- Professional Installation Required



Available in all finishes shown on the [Watermark Designs website](#)

45.00° SWIVEL ——— 1/2"-14 NPS FEMALE



Meets the applicable requirements of ASME A112.18.1-2005/CSA B125.1-05, entitled "Plumbing Supply Fittings".

Watermark Designs reserves the right to make revisions without notice to produce specifications. All product dimensions are nominal. **Updated: 09/2025**

350 Dewitt Ave. Brooklyn, NY 11207 USA | T: 1 718 257 2800 | F: 1 718 257 2144 | [customerservice@watermark-designs.com](mailto:customerservice@watermark-designs.com)