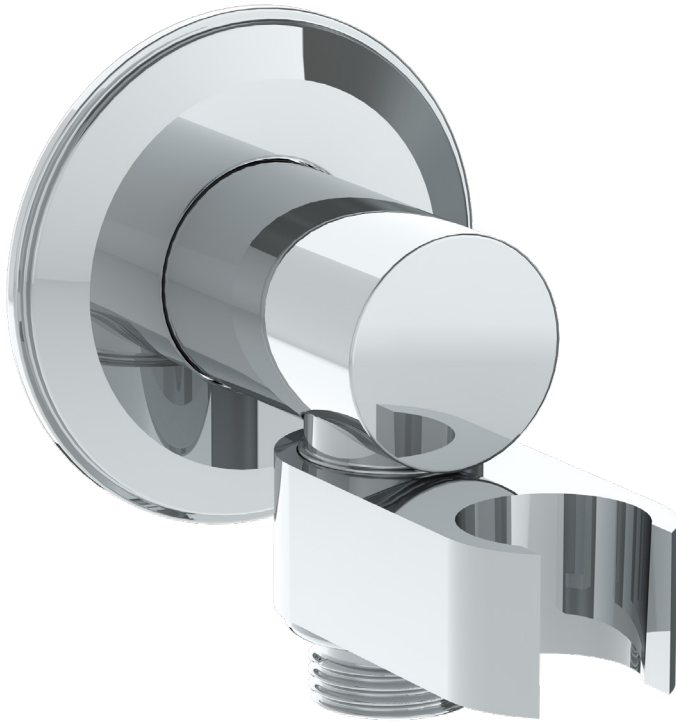


# WATERMARK

BROOKLYN, NEW YORK

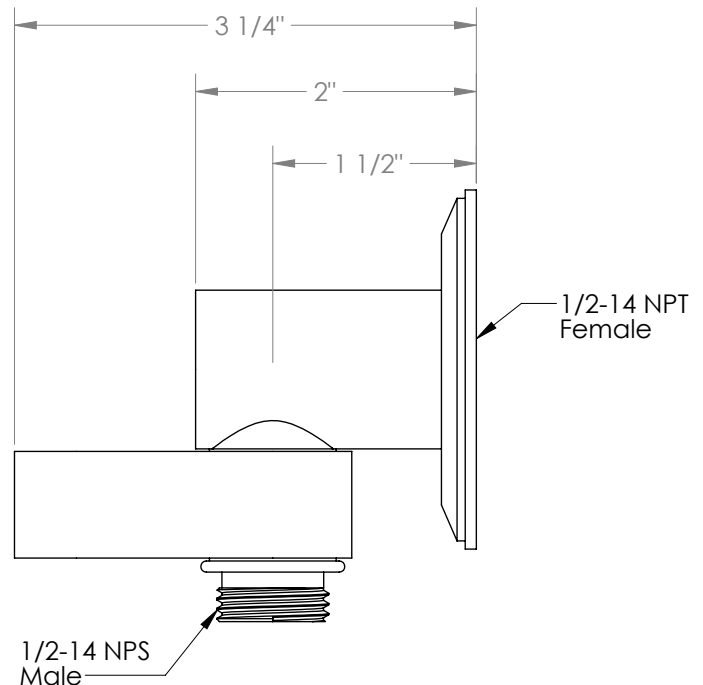
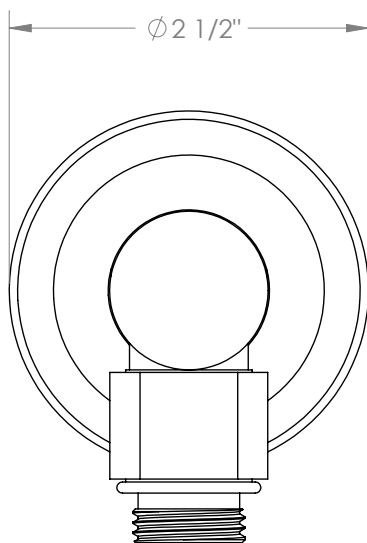


- 1/2" NPT Female Inlet, 1/2" NPS Male Outlet
- All Solid Brass Construction
- Professional Installation Required

## Refinement ELB-LTR1

Refinement Wall Elbow With Hook

Available in all finishes shown on the [Watermark Designs website](https://www.watermark-designs.com)



Meets the applicable requirements of ASME A112.18.1/CSA B125.1, entitled "Plumbing Supply Fittings".

Watermark Designs reserves the right to make revisions without notice to product specifications. All product dimensions are nominal.

Updated: 02/2026

350 Dewitt Ave. Brooklyn, NY 11207 USA | T: 1 718 257 2800 | F: 1 718 257 2144 | [customerservice@watermark-designs.com](mailto:customerservice@watermark-designs.com)