

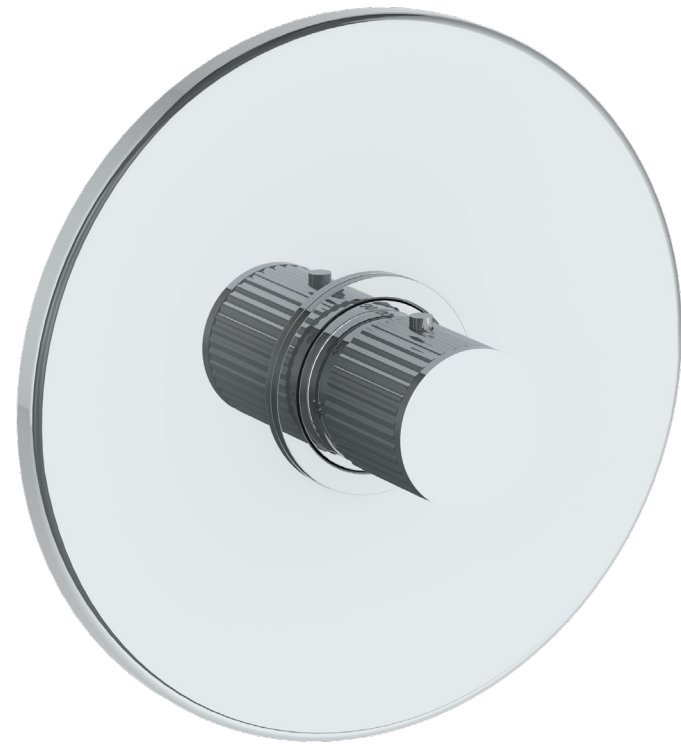
WATERMARK

BROOKLYN, NEW YORK

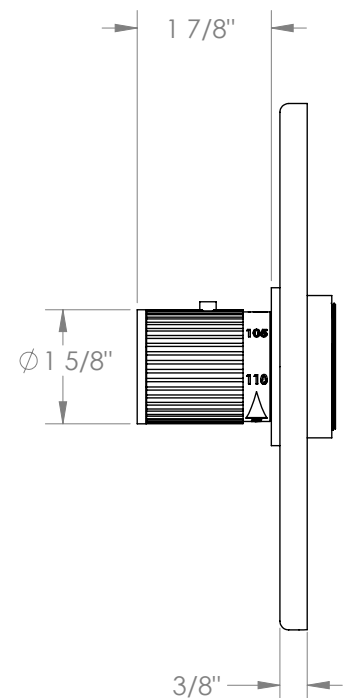
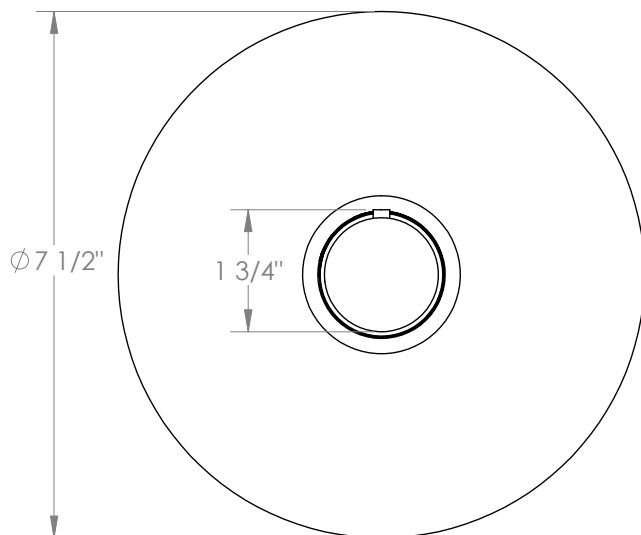
Thea 45-T10-TA6

Thermostatic Shower Trim

- Requires: SS-TH1000 or SS-TH3000 Thermostatic Valve
- Solid brass construction
- Handle sets and maintains temperature
- Temperature override button allows access to hotter temperatures
- Separate volume control(s) needed to complete installation
- Extension Kit: EXT41
- Professional Installation Required



Available in all finishes shown on the [Watermark Designs website](#)



Meets the applicable requirements of ASME A112.18.1/CSA B125.1, entitled "Plumbing Supply Fittings".

Watermark Designs reserves the right to make revisions without notice to product specifications. All product dimensions are nominal.

Updated: 07/2025

350 Dewitt Ave. Brooklyn, NY 11207 USA | T: 1 718 257 2800 | F: 1 718 257 2144 | customerservice@watermark-designs.com