

WATERMARK

BROOKLYN, NEW YORK

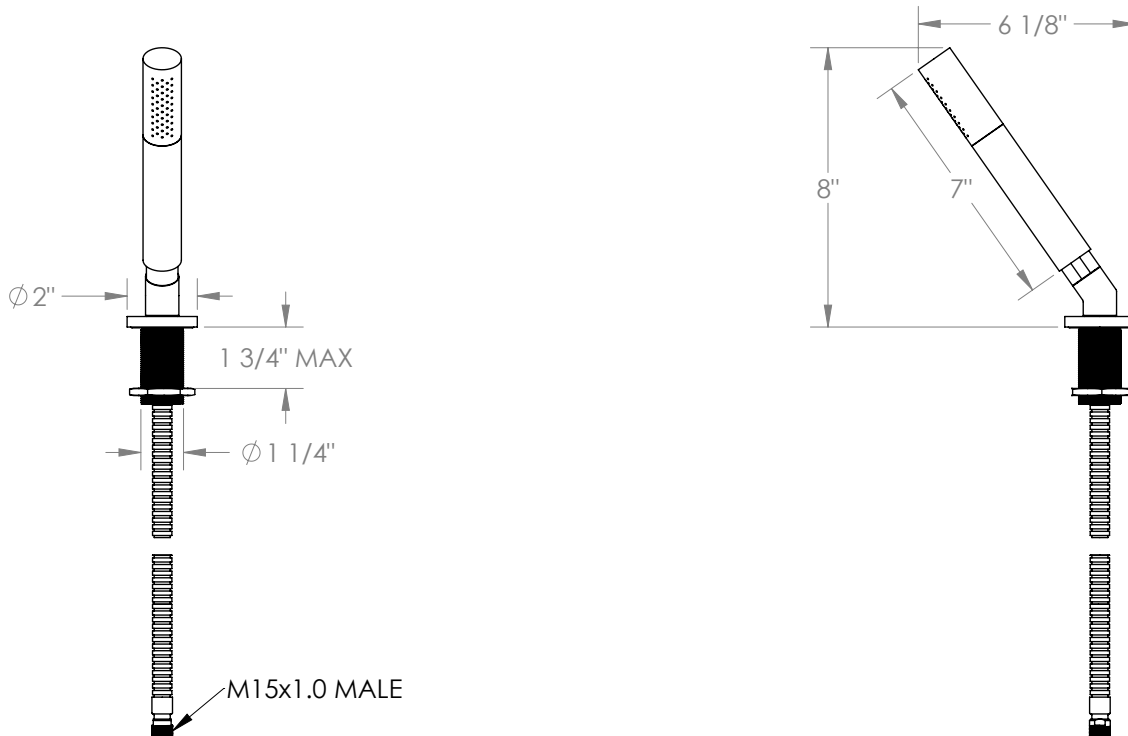


Thea 45-DHS

Deck Mounted Hand Shower Kit with Slim Hand Shower and Hose

- Flow Rate: 1.75 GPM Max @ 45-80 PSI
- Brass construction
- Contains a check valve in the hand shower inlet
- Includes the following components:
 - Hand Shower: SH-TIT30
 - Shower Hose: DM-3079 (69")
 - Hose Base: H-BS27
- Professional installation recommended
- Access must be provided for future servicing

Available in all finishes shown on the [Watermark Designs website](#)



Meets the applicable requirements of ASME A112.18.1/CSA B125.1, entitled "Plumbing Supply Fittings".

Watermark Designs reserves the right to make revisions without notice to product specifications. All product dimensions are nominal.

Updated: 07/2025

350 Dewitt Ave. Brooklyn, NY 11207 USA | T: 1 718 257 2800 | F: 1 718 257 2144 | customerservice@watermark-designs.com