

WATERMARK

BROOKLYN, NEW YORK

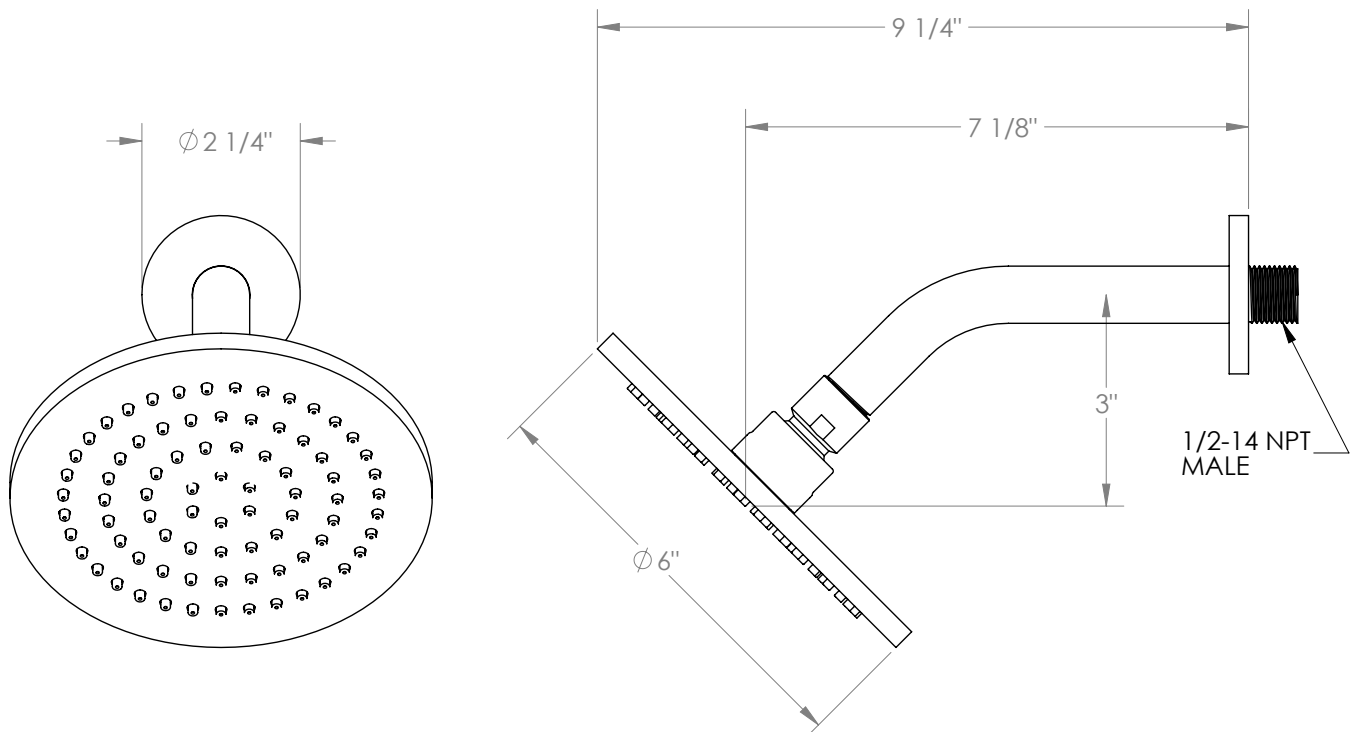
Elements 21-HAF

Wall Mounted Showerhead with Arm and Flange



- Flow Rate: 1.75 GPM @ 45-80 PSI
- Includes: SS-403AF and SH-TIT45
- Brass construction
- Easy clean silicone rubber nozzles
- Professional installation required

Available in all finishes shown on the [Watermark Designs website](#)



Meets the applicable requirements of ASME A112.18.1/CSA B125.1, entitled "Plumbing Supply Fittings".

Watermark Designs reserves the right to make revisions without notice to product specifications. All product dimensions are nominal. **Updated: 09/2025**

350 Dewitt Ave. Brooklyn, NY 11207 USA | T: 1 718 257 2800 | F: 1 718 257 2144 | customerservice@watermark-designs.com