

# WATERMARK

BROOKLYN, NEW YORK

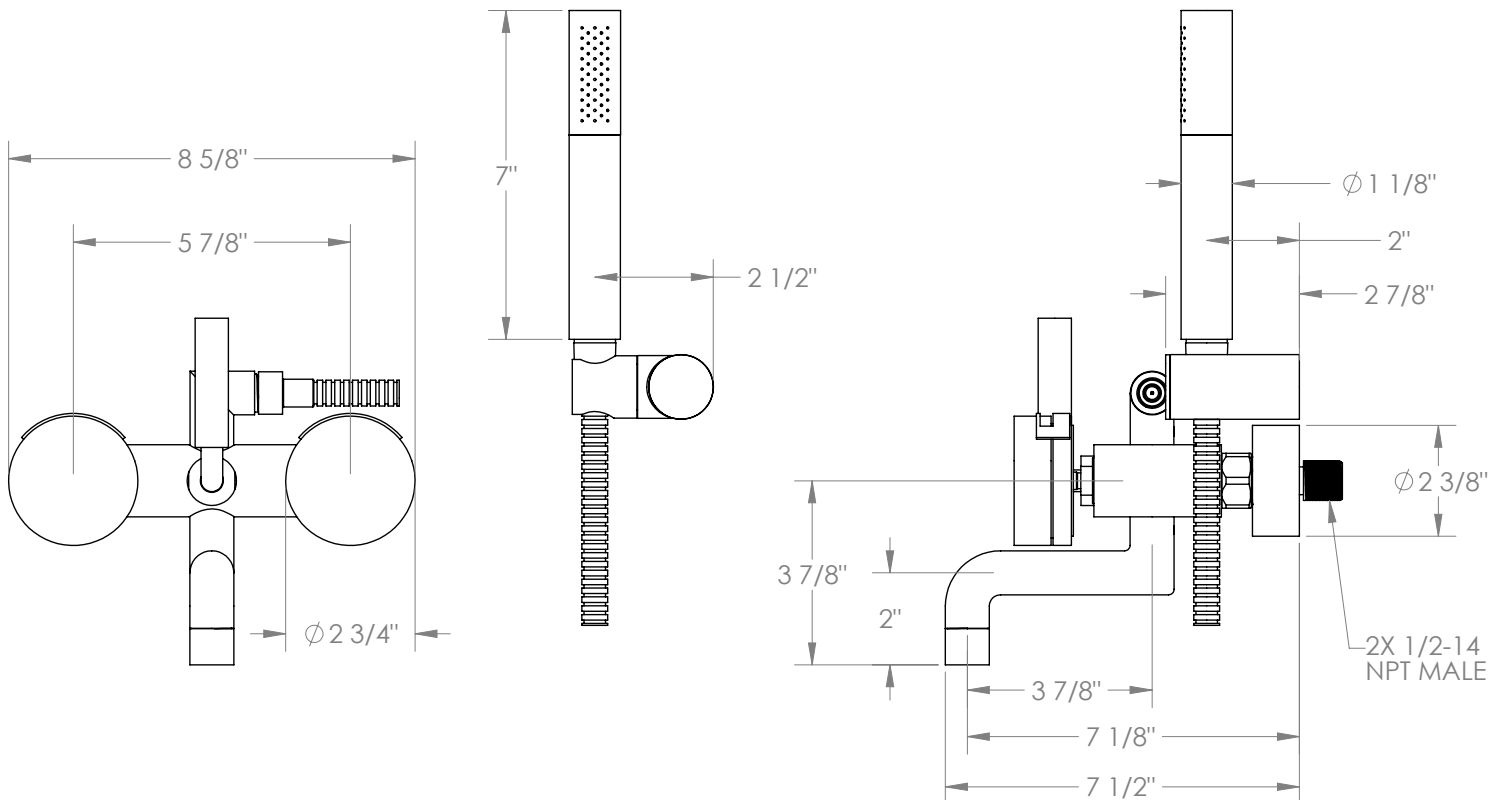
## Elements 21-5.2-LKE1

Wall Mounted Tub Filler with Hand Shower



- Include 49" Hose
- Some building codes require remote pressure balance valves for anti-scald
- 1/2"-14 NPT Male Wall Connection
- 1/4 Turn Ceramic Cartridge
- All Solid Brass Construction
- Professional Installation Required

Available in all finishes shown on the [Watermark Designs website](#)



Meets the applicable requirements of ASME A112.18.1/CSA B125.1, entitled "Plumbing Supply Fittings".

Watermark Designs reserves the right to make revisions without notice to product specifications. All product dimensions are nominal.

Updated: 10/2024

350 Dewitt Ave. Brooklyn, NY 11207 USA | T: 1 718 257 2800 | F: 1 718 257 2144 | [customerservice@watermark-designs.com](mailto:customerservice@watermark-designs.com)