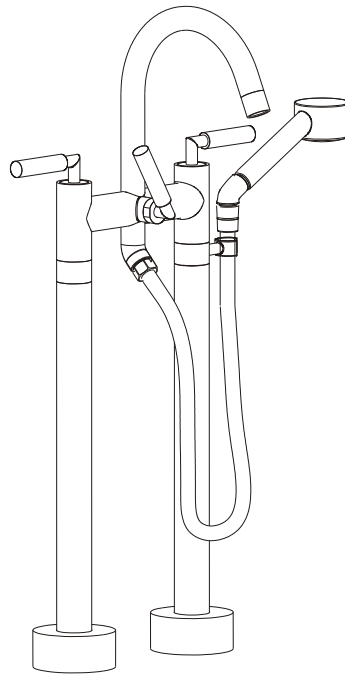


WATERMARK

MADE IN BROOKLYN, NEW YORK

INSTALLATION INSTRUCTIONS



Floor mounted bath/shower mixer

21-8.3, 22-8.3, 30-8.3, 31-8.3, & 27-8.3

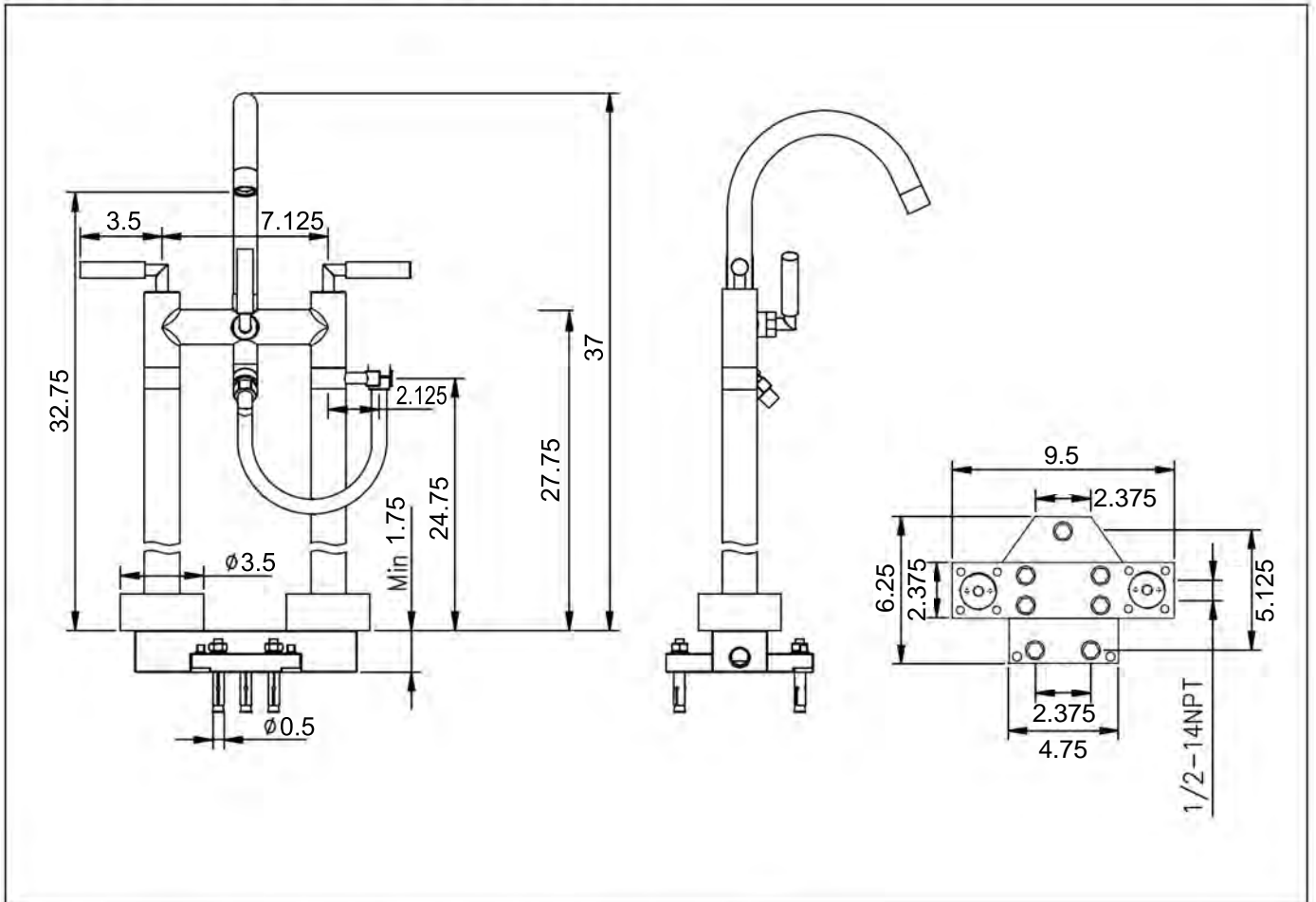


ASME A1 12.18.1

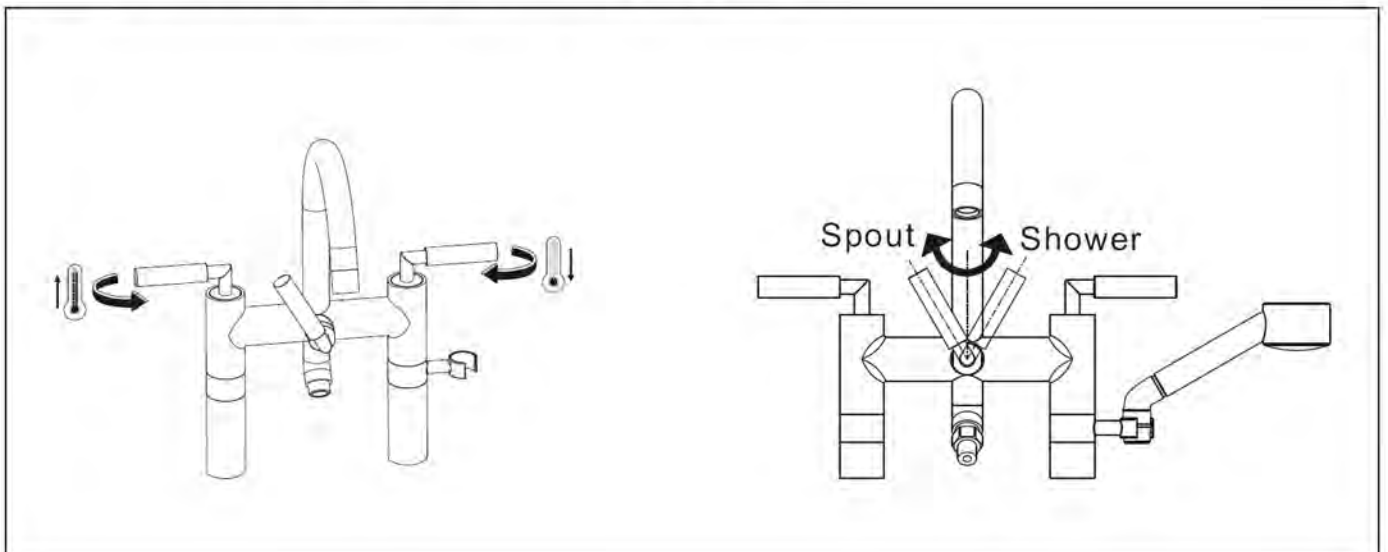
NSF61

CAS B125.1

ROUGH-IN DIMENSIONS

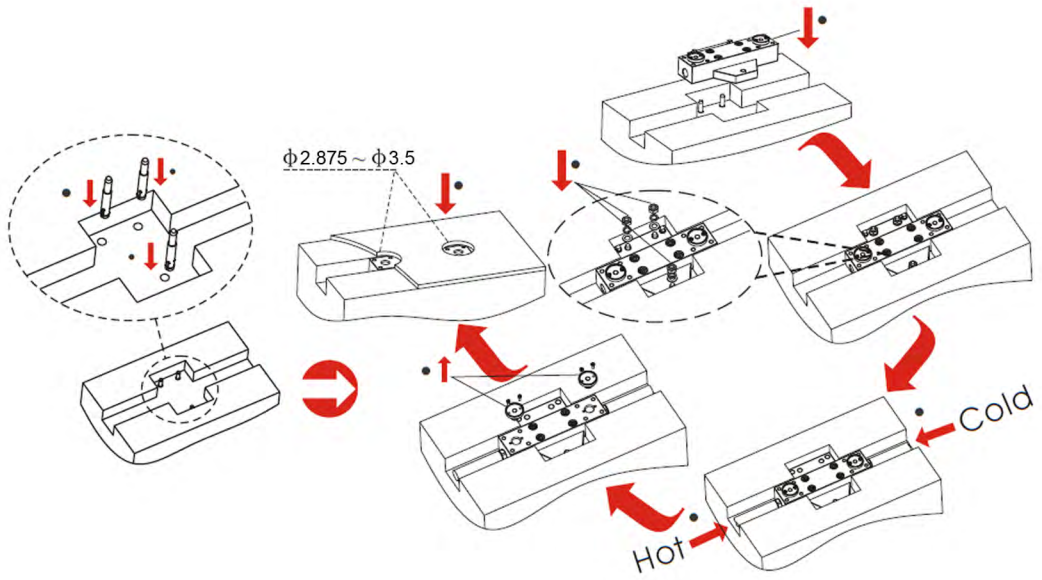


OPERATION INSTRUCTIONS

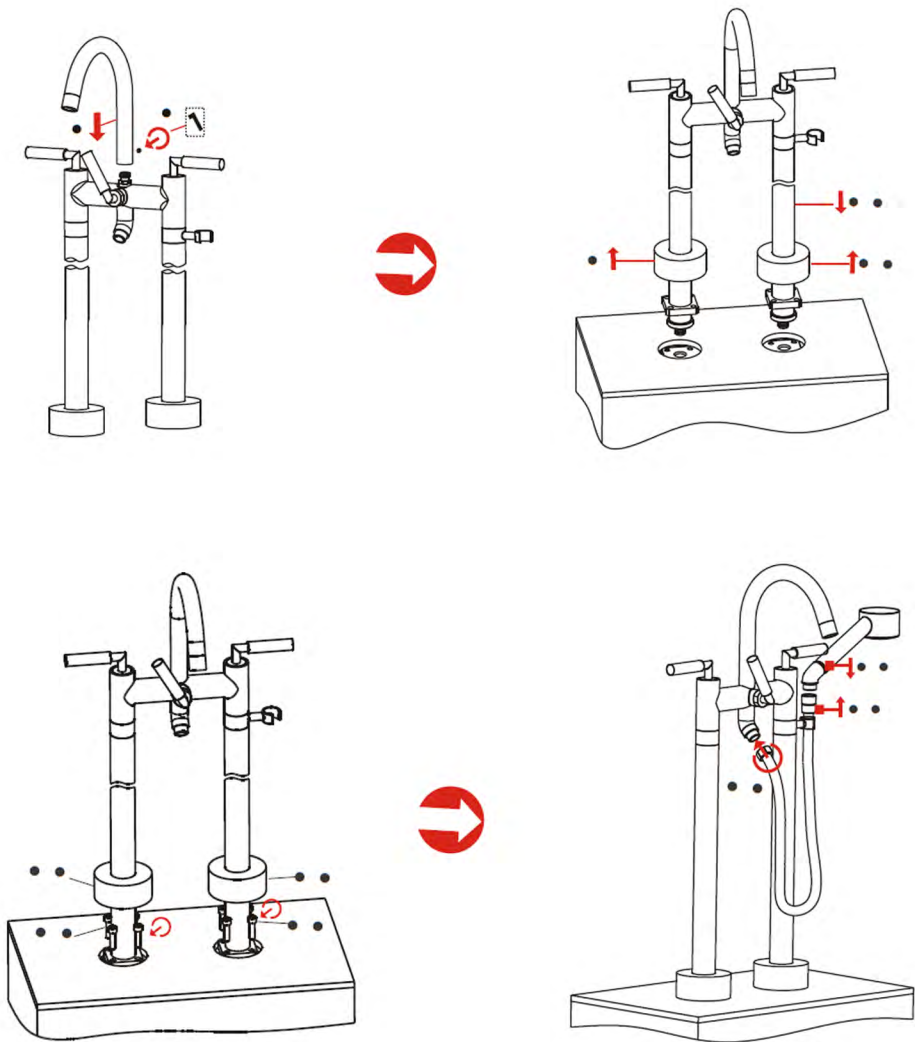


INSTALLATION

1



2



WATERMARK

Recommendation for Maintenance of Liquid Metal Surfaces

OIL SLICK / OX BLOOD

All Liquid Metal coatings regardless of finish must be handled wearing nitrile gloves to prevent tarnishing. No chemical products or products which contain adhesives should be used on our finishes without prior consent from Watermark Designs.

The most popular treatment which we recommend is a coating of Beeswax which our finishing operatives apply to all of our finished items unless otherwise requested by customers. This helps to prevent oxidation and enhances the finish without detracting from the character of the metal and protects the surface from miscellaneous light markings, the most common being finger marks.

The Beeswax will assist, to a great degree, in preventing the oxidation and tarnishing of the true metal. It does not completely eliminate oxidation; therefore it must be periodically maintained. Please refrain from using bleach or other harsh cleaning products on our finish as this will damage the finish.

We recommend that the surface is treated regularly with an application of Beeswax and re-polishing with a clean lint free cloth. The frequency of application depends on the amount of use, normally once a week to once a month.

If water is allowed to stand on a Beeswax surface for any length of time, this will penetrate the wax coating leading to advanced oxidization. Spillages should be cleaned up immediately.