

WATERMARK

BROOKLYN, NEW YORK

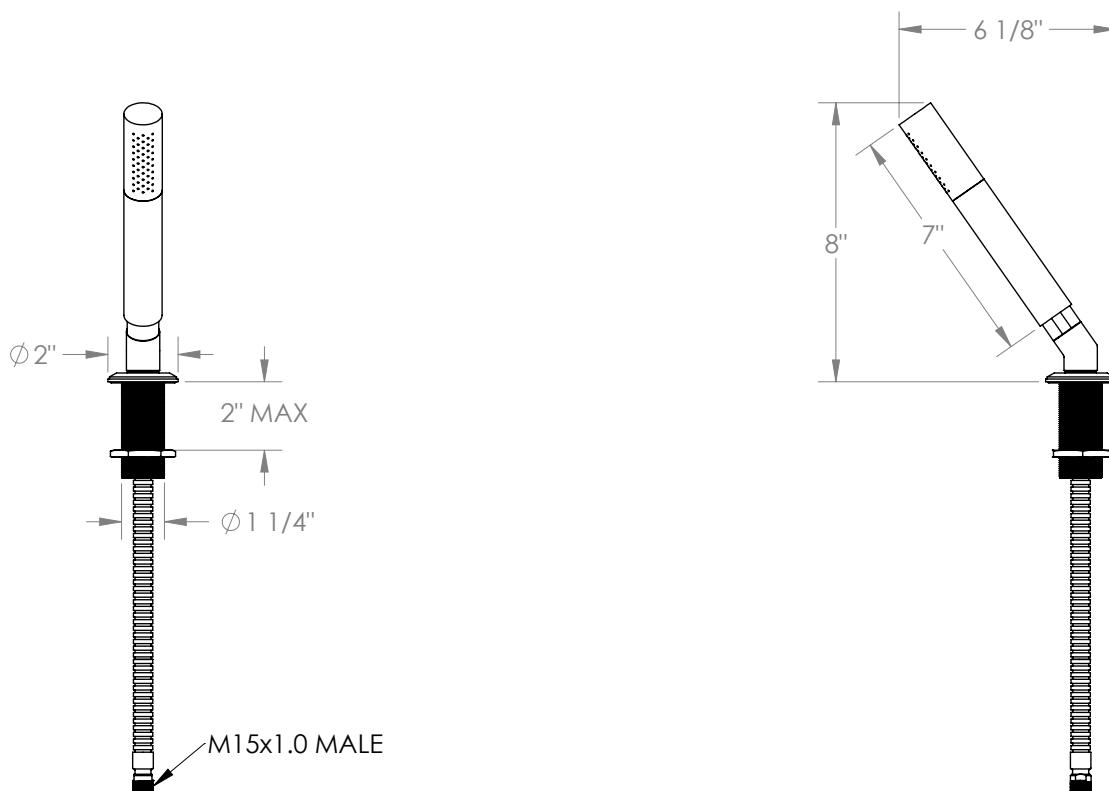


- Includes 49" Hose, DS-5079SM
- Includes SH-TIT30 Handshower
- Contains a check valve in the hand shower inlet
- Flow Rate: 1.75 GPM
- Fits Deck Up to 1 7/8" Thick
- All Solid Brass Construction
- Professional Installation Required
- Access must be provided for future servicing

Refinement 19-DHS

Pull Out Slim Handshower Set

Available in all finishes shown on the [Watermark Designs website](https://www.watermark-designs.com)



Meets the applicable requirements of ASME A112.18.1/CSA B125.1, entitled "Plumbing Supply Fittings".

Watermark Designs reserves the right to make revisions without notice to product specifications. All product dimensions are nominal.

Updated: 02/2026

350 Dewitt Ave. Brooklyn, NY 11207 USA | T: 1 718 257 2800 | F: 1 718 257 2144 | customerservice@watermark-designs.com