

# WATERMARK

BROOKLYN, NEW YORK

James

133-HAF.1

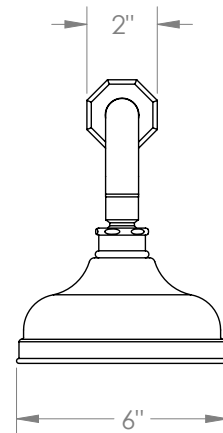
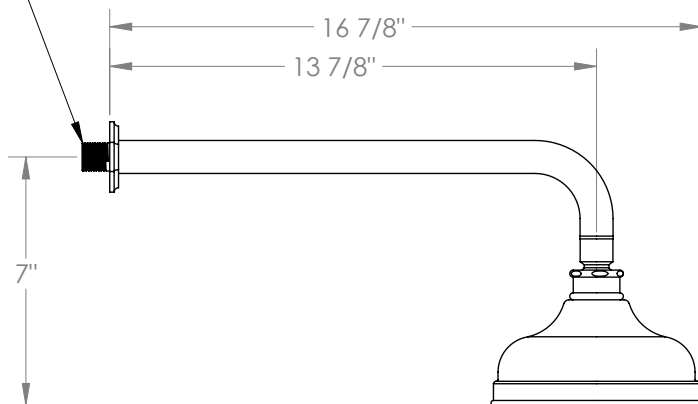
Wall Mounted Showerhead



- Flow Rate: 1.75 GPM @ 45-80 PSI
- Easy clean silicone rubber nozzles
- Brass construction
- Includes: SS-OC703AF and SH-RH070
- Professional Installation Required

Available in all finishes shown on the [Watermark Designs website](#)

1/2"-14 NPT MALE



Meets the applicable requirements of ASME A112.18.1-2005/CSA B125.1-05, entitled "Plumbing Supply Fittings".

Watermark Designs reserves the right to make revisions without notice to product specifications. All product dimensions are nominal. **Updated: 09/2025**

350 Dewitt Ave. Brooklyn, NY 11207 USA | T: 1 718 257 2800 | F: 1 718 257 2144 | [customerservice@watermark-designs.com](mailto:customerservice@watermark-designs.com)